

Rack Mount Patch Panel ODU-L16

Overview

ODF (Optical Distribution Frame) rack mount patch panel ODU-L16 is adaptable with standard 19", 21" and 23" frames and currently being widely used in Longxing's optical fiber distribution frames, such as GPX82 series. The rack mount is made of top quality metal material and could contain up to 8 integrated splice & distribution units (up to 96 cores). Splice and distribution are integrated in one module. Each module can complete the splice and distribution processes of 12 cores of fibers. This termination box is used in GPX82-4-2 optical distribution frame (ODF).

Features

- Top quality steel with electrostatic painted ensures the strong body and pleasing appearance.
- Easy installation: 19", 21" and 23" wall mounting.
- For standard 19", 21" and 23" racks use (other rack width options available on request).
- Front rack mount brackets work with most network cabinets.
- Easy operations: Drawer-type.
- Removable front door with designation labels.
- Vertical cable guides on exit side allow for managed routing and protection of the fiber exiting the panel.
- Multi-functions - Works with all LongXing Series A modules (not just for splicing & terminating, also with options for splitters or fiber storage).
- Protected patch panel offers secure environment for adapters, patch cords and pigtailed.
- Adoptable adapter types: FC, SC, ST simplex adapters and LC duplex adapters.

5U sub-rack (96 FO)



5U sub-rack (96 FO)



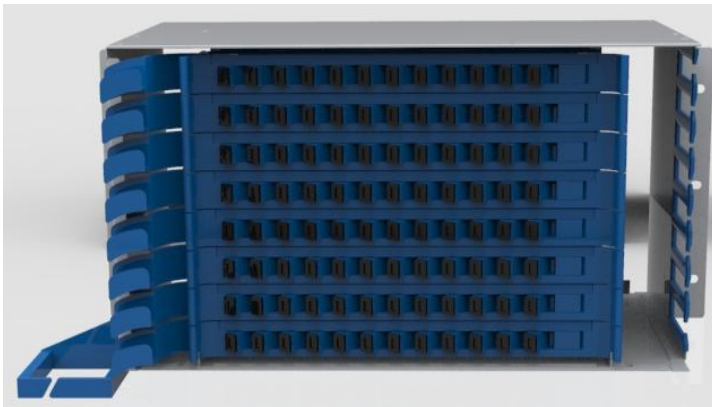
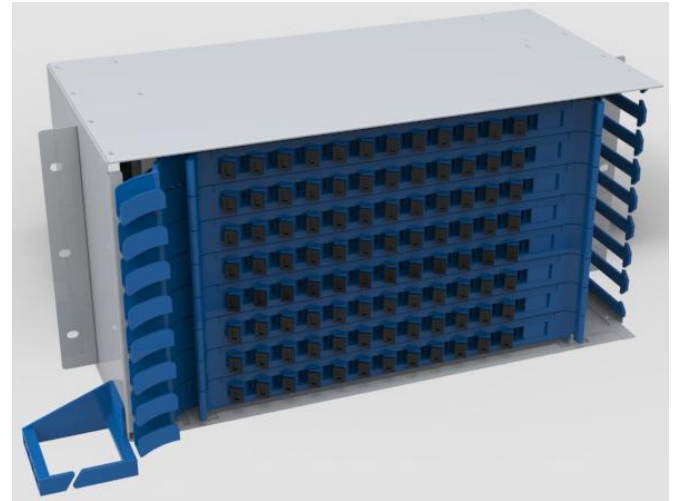
Dimensions and Capability							
Height	Depth(mm)	Width	Module A1			Module A3	
			Capacity		Module	Capacity	Module
			FC/SC/ST	LC duplex	Capacity	FC/SC	Capacity
2U	216	19"/21"/23"	24	48	2	48	2
3U	216	19"/21"/23"	48	96	4	96	4
4U	216	19"/21"/23"	72	144	6	144	6
5U	216	19"/21"/23"	96	192	8	192	8

* Height is upon request.

Shipping Information	
Package Contents	Patch panel, 1 unit
Package Dimensions(W*H*D)	It depends on the dimensions of the product
Material	Carton box
Weight	It depends on the dimensions of the product
Lead Time	10-15 working days normally

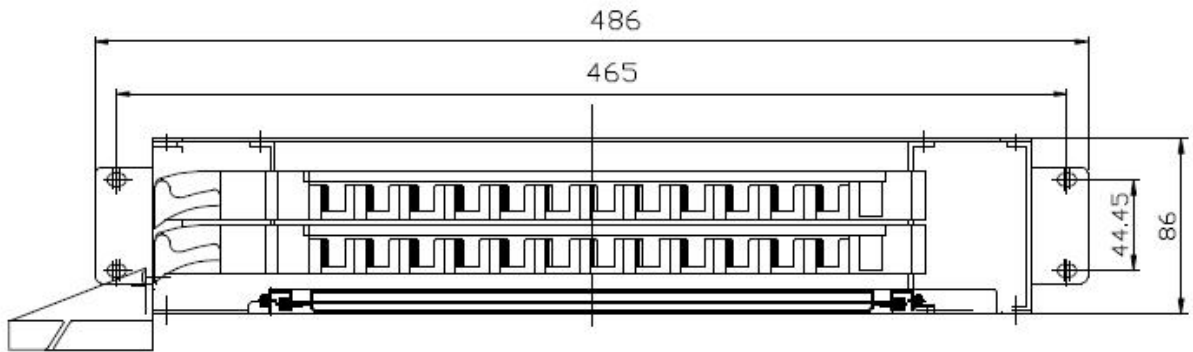
Part Details

5U sub-rack (96 FO)

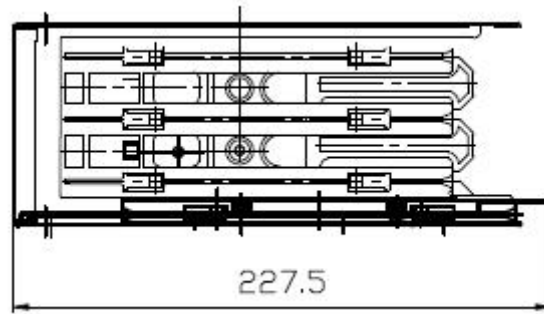


Drawing of 2U ODF

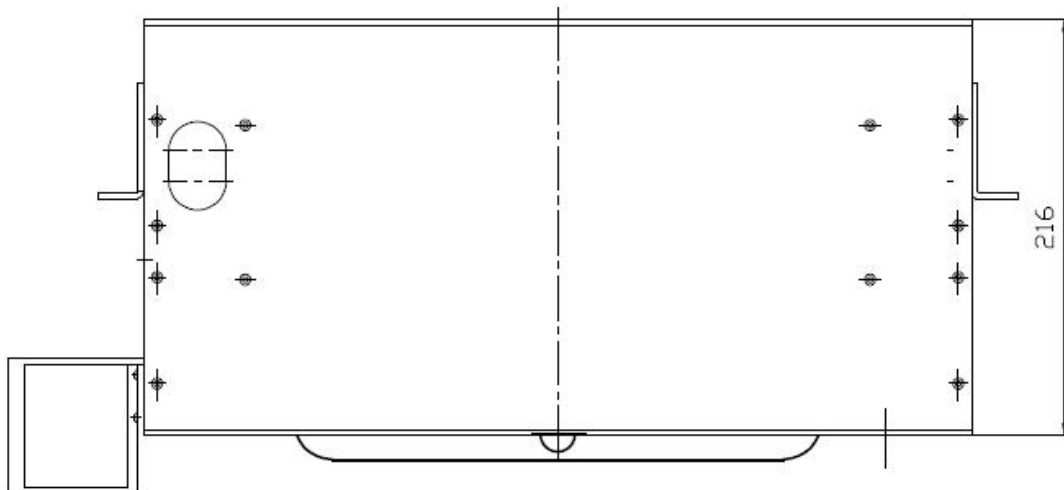
FRONT VIEW



SIDE VIEW



TOP VIEW



Catalog Number

ODU-L16

Material
M = Metal
S = Stainless steel
O = Other*

Capacity
Enter the capacity required

ODU Color
W = White
B = Black
G = Grey
O = Other*

Height
1 = 1U
2 = 2U
3 = 3U
4 = 4U
O = Other*

Connector Type
SU = SC UPC
SA = SCAPC
FU = FC UPC
FA = FCAPC
LU = LC UPC (duplex)
LA = LC APC (duplex)
OO = Other*

Adapter Quantity
Enter the quantity required
N = No requirement

Fusion Tube
Y = Yes
N = No

Cable Color
Y = Yellow
B = Blue
W = White
O = Orange
G = Green
Z = Brown
S = Slate
R = Red
H = Black
P = Purple
F = Rose
A = Aqua
C = Color coded
N = No requirement

Pigtail Quantity
Enter the quantity required
N = No requirement

Fiber Type	
S = G652D	Single Mode
D = G655	
K = G656	
P = G657A1	
L = G657A2	Multi Mode
B = OM1 (62.5/125μm)	
G = OM1 (50/125μm)	
Q = OM2 (50/125μm)	
W = Om3	
Y = Om4	
O = Other*	
N = No requirement	

Ordering Example:

ODU-L16M48W2LU48SNNN Metal, 48 Cores, White ODU, 2U, LC UPC, 48 Adapters, G652D, No Pigtail, No Cable, No Fusion Tube

Note: *If the required type of any item is not on the relevant list, please use "O" or "OO" as the red cells indicate, and kindly state the required type in the description of PO.